



#### SPECIFICATIONS

External single control

Chrome

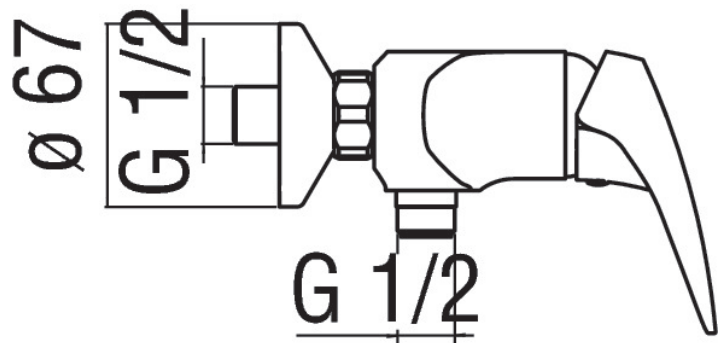
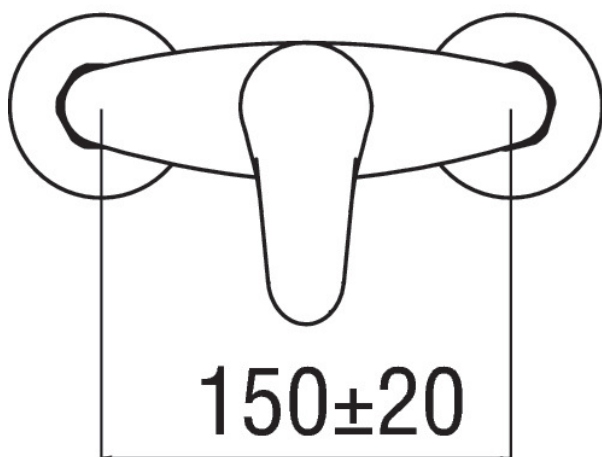
1/2" outlet

50% two step cartridge for water saving

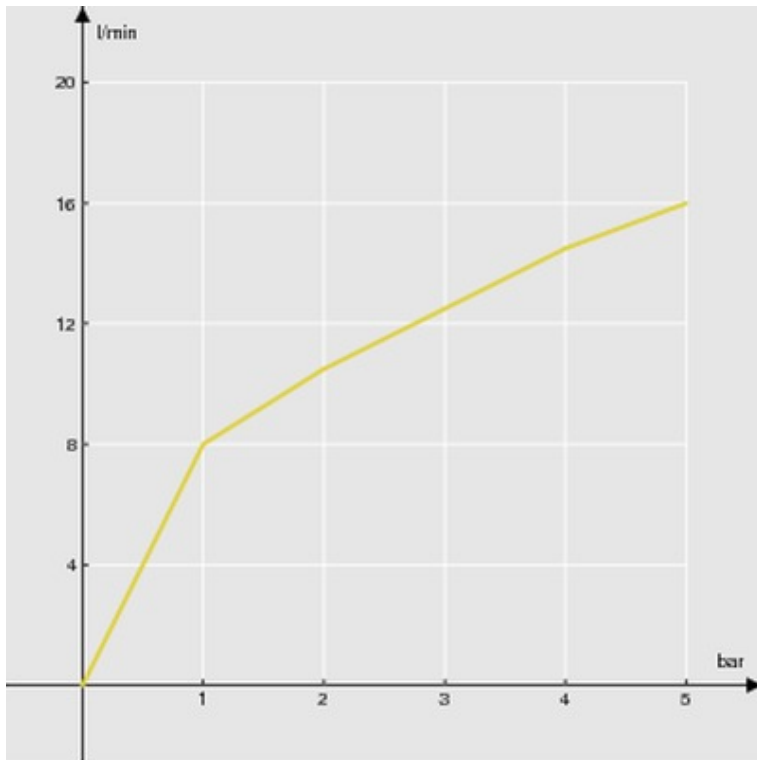
Packaging: 21 x 17,3 x 7,2 cm / 0,00262 m<sup>3</sup> / 1,5 kg

#### CERTIFICATIONS





FLOW RATE DIAGRAM: HOT/COLD WATER



FLOW RATE DIAGRAM: MIXED WATER

