



SPECIFICATIONS

Required flush-fit part

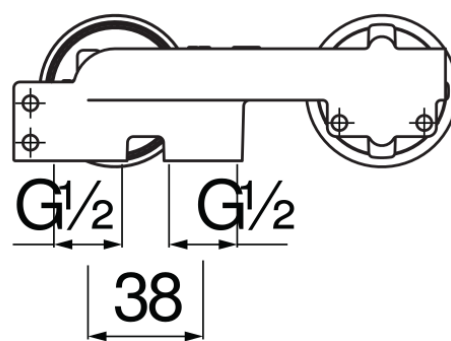
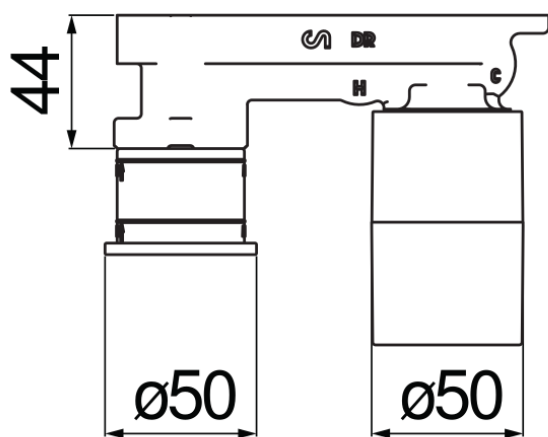
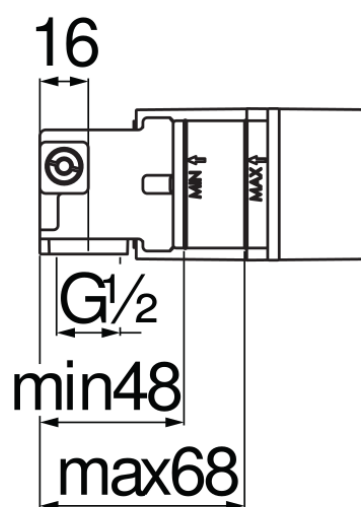
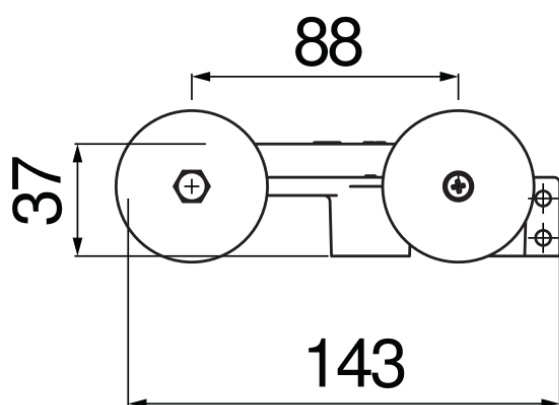
Ø 1/2" hot and cold water inlet

1/2" outlet

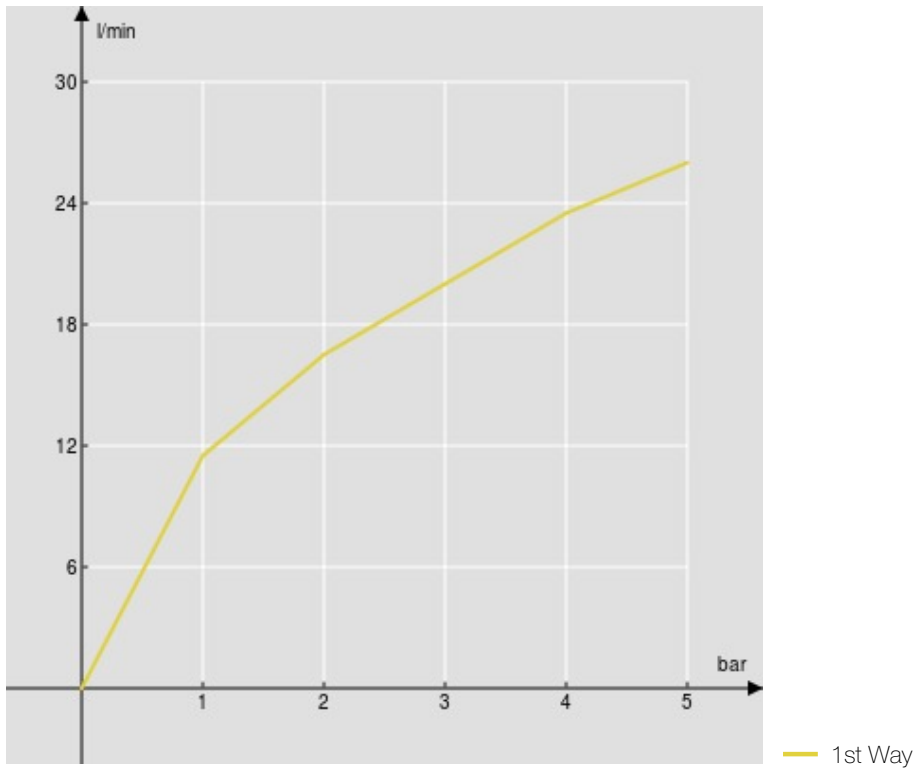
Packaging: 16,5 x 12 x 5 cm / 0,00099 m³ / 0,98 kg

CERTIFICATIONS





FLOW RATE DIAGRAM: HOT/COLD WATER



FLOW RATE DIAGRAM: MIXED WATER

