

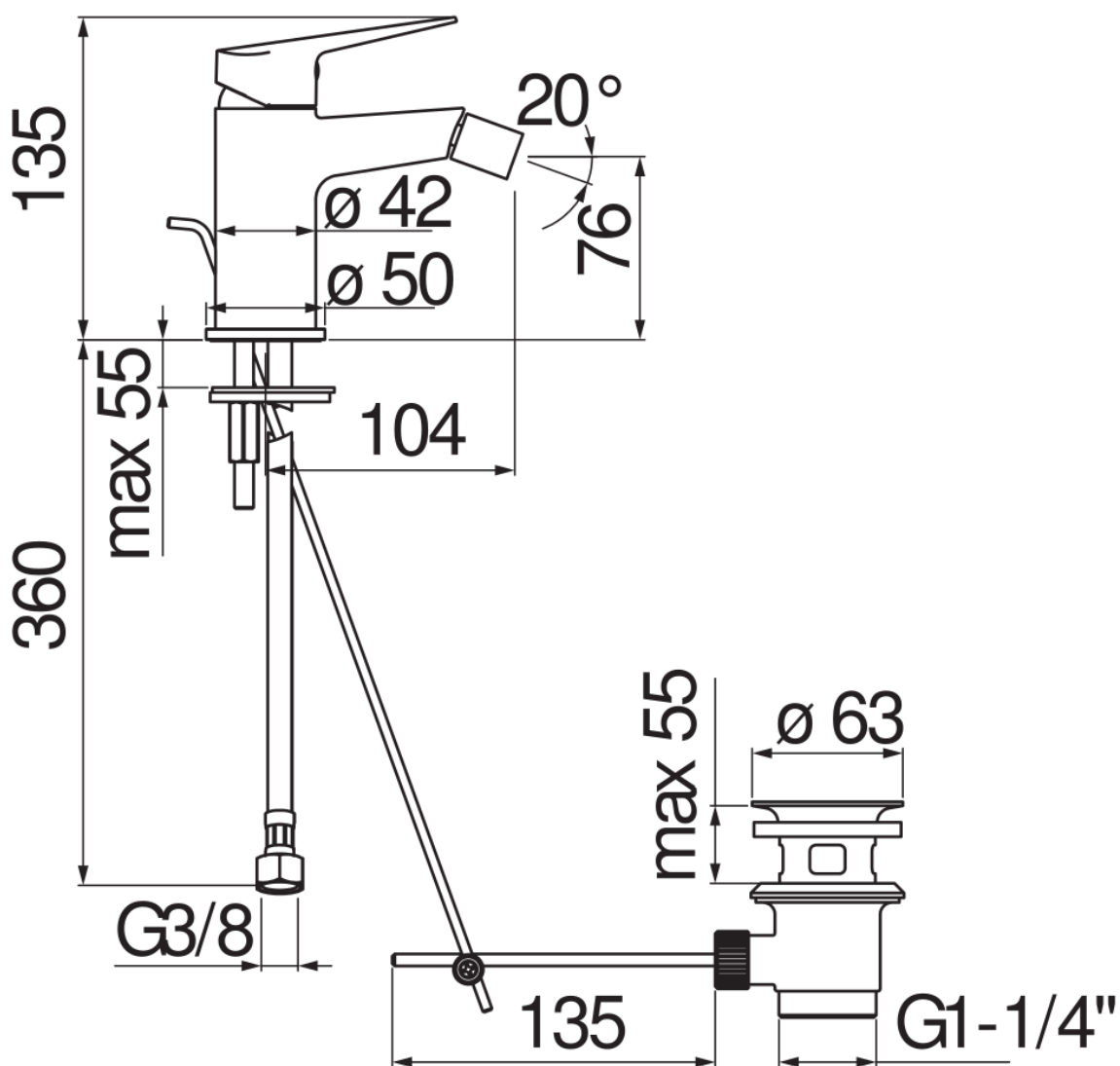


SPECIFICATIONS

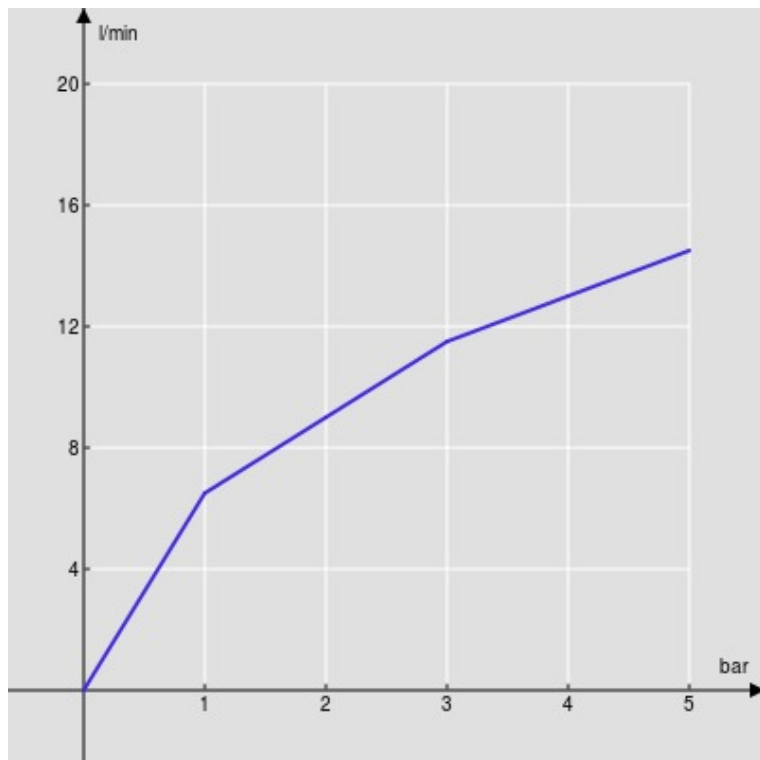
Single control
Chrome
Anti limescale aerator M 16,5 x 1
Swivel jet
1 1/4" waste with patented SNAP system
ø 3/8" stainless steel flexible pipe
50% two step cartridge for water saving
Packaging: 41,5 x 16 x 7,5 cm / 0,00498 m³ / 1,57 kg

CERTIFICATIONS



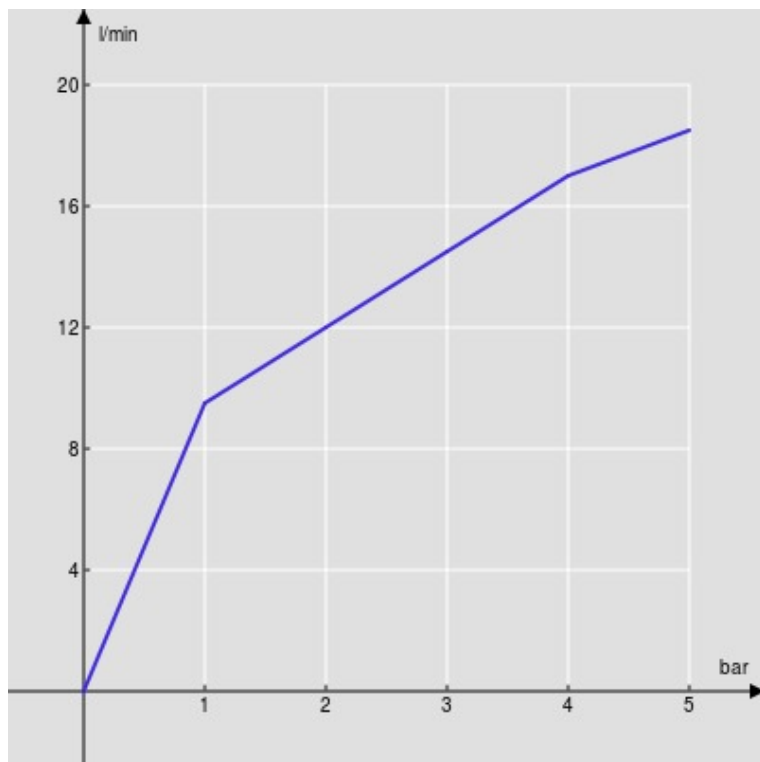


FLOW RATE DIAGRAM: HOT/COLD WATER



— Aerator

FLOW RATE DIAGRAM: MIXED WATER



— Aerator