



#### SPECIFICATIONS

Energy saving single control

Chrome

Anti limescale aerator M 24 x 1

5 l/min aerator included in the package

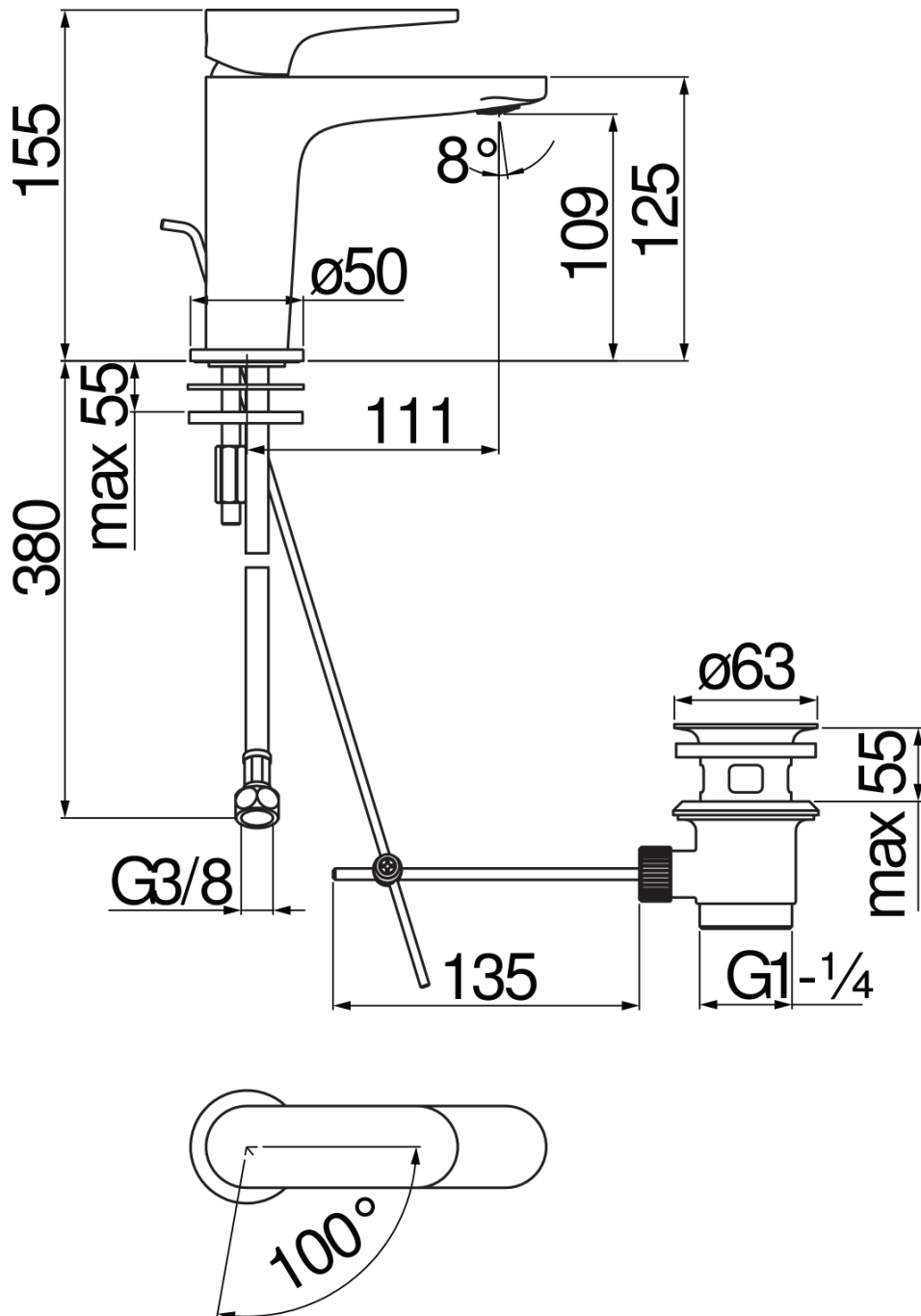
1 1/4" waste with patented SNAP system

ø 3/8" stainless steel flexible pipe

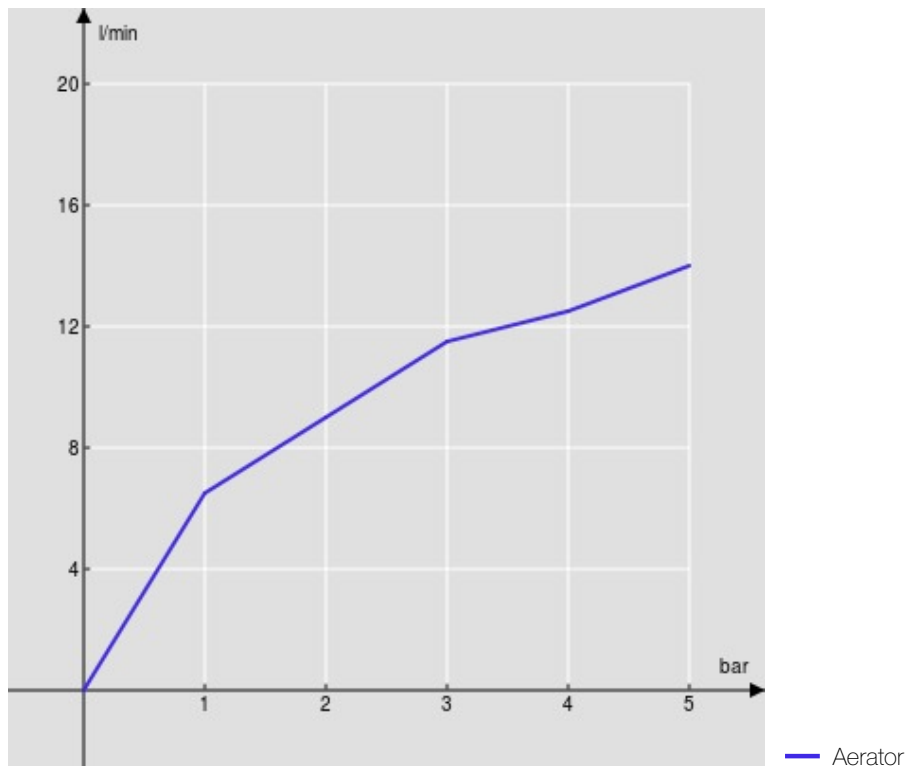
Energy saving system with cold water side opening

50% two step cartridge for water saving

Packaging: 41,5 x 16 x 7,5 cm / 0,00498 m<sup>3</sup> / 1,64 kg



FLOW RATE DIAGRAM: HOT/COLD WATER



FLOW RATE DIAGRAM: MIXED WATER

