



SPECIFICATIONS

Energy saving single-control

Chrome

Anti limescale aerator M 24 x 1

5 l/min aerator included in the package

1 1/4" waste

ø 3/8" stainless steel flexible pipe

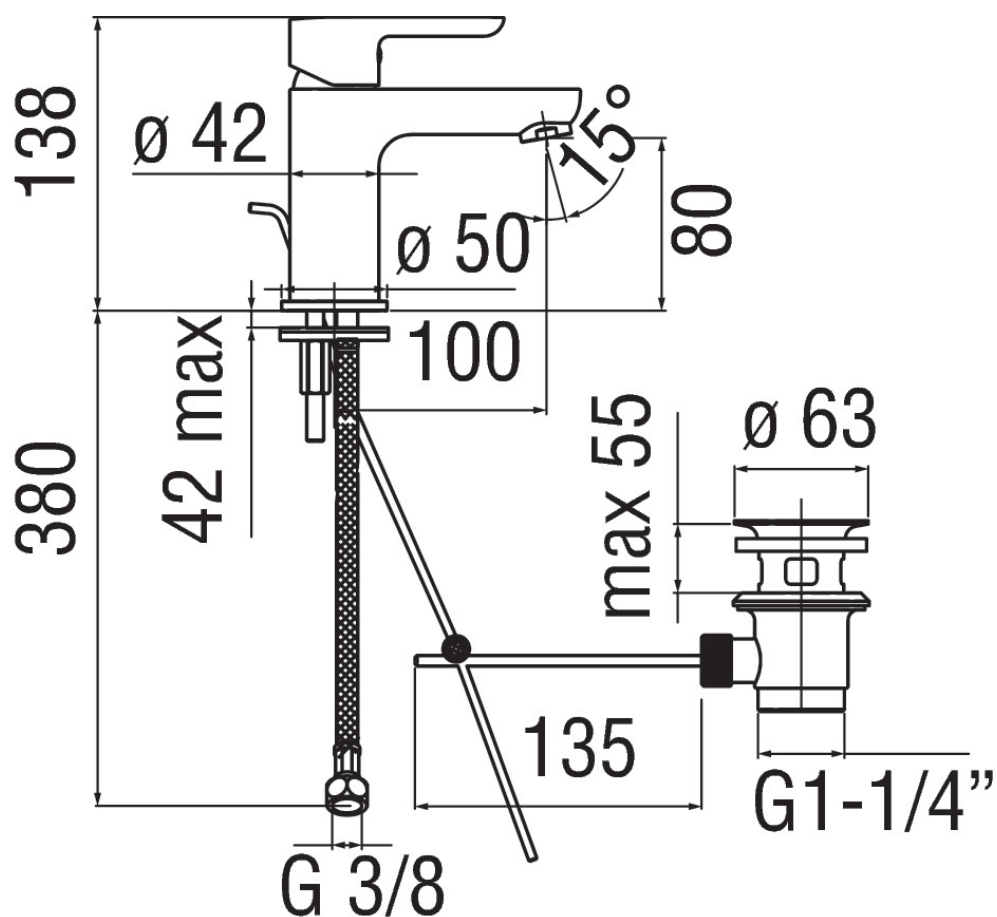
Energy saving

Dynamic flow limiter

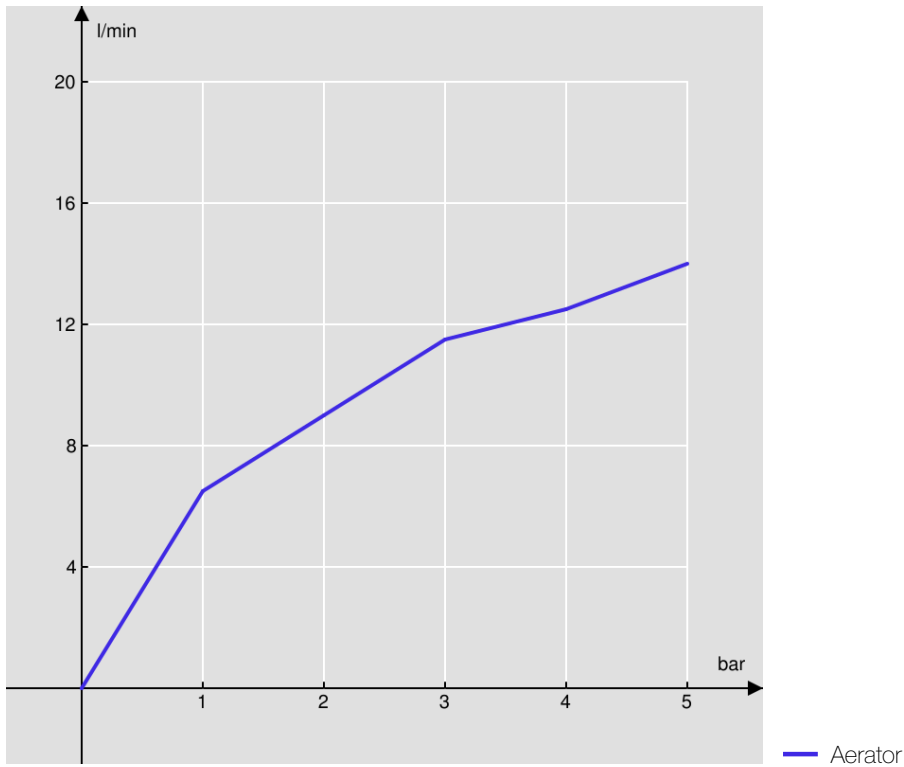
Packaging: 41,5 x 16 x 7,5 cm / 0,00498 m³ / 1,66 kg

CERTIFICATIONS





FLOW RATE DIAGRAM: HOT/COLD WATER



FLOW RATE DIAGRAM: MIXED WATER

